

## How to choose the right shower?

### 1. Consult your plumber or installer

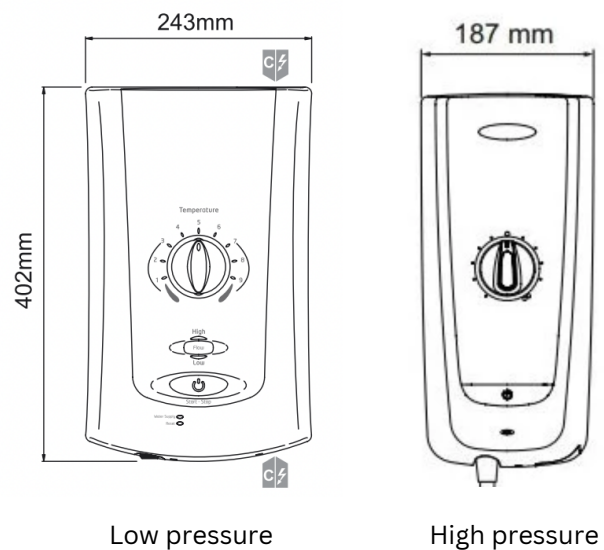
Before choosing a shower always check with your plumber to make sure you're replacing your existing shower with a compatible system.

### 2. Determine low pressure or high pressure

You can start by measuring your shower, paying close attention to width.

If it is low pressure it will be wider as it will have a pump inside the shower cover.

**IF** its high pressure it won't have a pump.



### 3. Check the product and installation guide

You can find these under product description which are free to download. This will give you more information and help determine if it is the right shower for your system.

**Note to customers:** Mira Advance LP and HP can look similar make sure to follow these steps. If in doubt give us a call or send us pictures of your current system. Due to updates the Advance 9.0kW needs to be replaced with 8.7kW (2018 onwards)